



VENUS FTLMV

The V-shaped laboratory mixers are used in the homogenization of powdered products. They feature two loading inlets with silicon caps, and an unloading outlet for the mixture with a gate valve to facilitate unloading. The useful capacity is 50% of the total mixer volume.

The mixer receptacle is manufactured from AISI 316 stainless steel with a mirror-polished finish, both inside and outside. It is driven by a single phase motor, and it is possible to regulate the mixing time via a timer.

Models from 0,5 to 8 litres of total capacity are available.

INCLUDES:

- > V-shaped laboratory mixers.
- > Connecting cable.
- > 2 silicon caps.
- > User manual.
- > CE declaration of conformity.



Gate valve

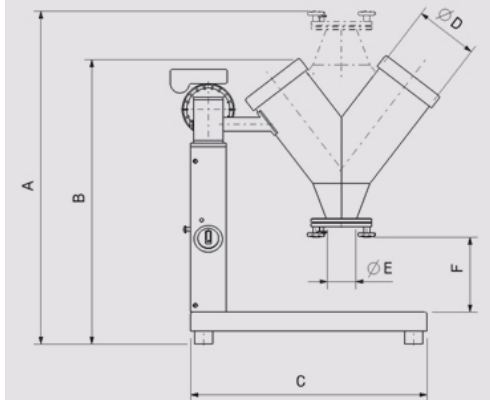
TECHNICAL FEATURES

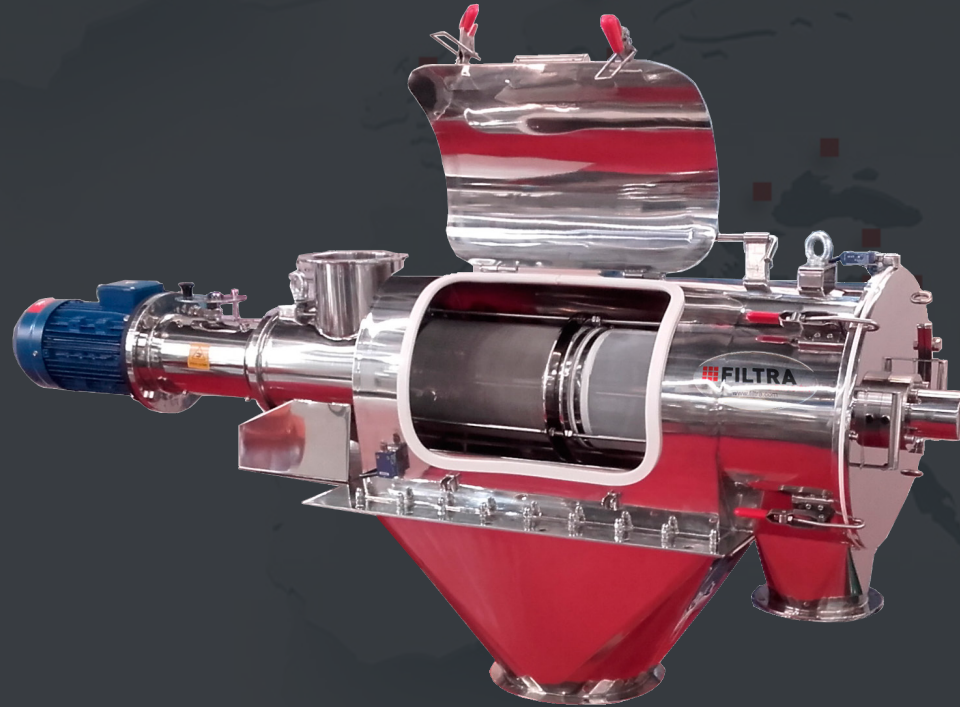
TECHNICAL FEATURES				
FTLMV-0.5	220-240 V	50-60 Hz	0.12 CV	0.5 l
FTLMV-01			0.12 CV	1 l
FTLMV-02			0.12 CV	2 l
FTLMV-04			0.12 CV	4 l
FTLMV-08			0.25CV	8 l



TECNICAL DIMENSIONS

	0.5l	1l	2l	4l	8l
A	-	-	480	600	675
B	405	405	430	550	645
C	420	420	420	550	550
D	85	85	104	130	154
E	48	58	58	75	98
F	150	150	110	175	175





SIEVING FOR LABORATORY AND INDUSTRIAL PROCESSES

FILTRA
VIBRACIÓN

Filtra Vibración S.L

C/ BRONZE, 1-3, P.I. LES GUIXERES
08915 BADALONA (BARCELONA)

filtra@filtra.com
filtra.com